

Reliable Power to

EXPORT



The Commitment Company

ISO 9008-2008 Certified



Since 1975, VTC transformers are working with unparalleled reliability in every part of the world. That is the quality VTC exports today to more than 40 countries worldwide. VTC engineers work with our international customers to understand their needs, applications, standards and provide the custom solution with the shortest delivery cycle. VTC has developed the design capability and the technical skill to manufacture transformers per ANSI, CSA, CEI and IEC, including any standards of the individual country.

Whether it is a bone-chilling -50° C at Nova Chemicals in Red Deer, Alberta, Canada or a scorching 55° C at Saudi ARAMCO in Saudi Arabia, VTC transformers are performing 24 hours a day to full expectations. Even in the tropical, humid conditions at PREPA in Central America or the sugar mills throughout South America, VTC transformers still operate at peak performance. Everywhere, every time, throughout the world.

VTC's international customers now find "one source" for all their needs – power or distribution transformers, motor starting transformers, drive or rectifier duty transformers, LTC transformers or voltage regulators, grounding transformers or dry type transformers. VTC has ample capacity with three manufacturing plants located in North America to meet all of our customers' needs both now and in the future.

Specific transformer applications include: power distribution, GSU, power generation, industrial, commercial, drive duty, rectifier duty, and transit. The Ho Chi Minh City water works in Vietnam is powered by four VTC transformers performing flawlessly for more than 10 years. VTC supplied 30 transformers of different ranges from 2000 kVA up to 25 MVA to the Iraq RIO (restoration Iraq oil) Project. Working closely with other suppliers, VTC had the distinction of supplying more than 20 dry type transformers for the prestigious Gus Lasfar project in Morocco. In 2005, we supplied 16 – 2000 kVA dry type transformers for Phase II of the Dubai Chiller plant.

Recently, VTC has engaged with various engineering and consulting companies in Canada for the oil sands projects in Alberta. In 2007, VTC received orders for more than 25 medium power transformers. The applications are predominantly compressor/motor starting for pumping stations moving heavy oil to U.S. refineries. The low impedance requirement increases the fault current and therefore it was important to supply the customer with a custom designed transformer to accommodate the upstream breakers.

Virginia Transformer – All the Power you need, All the Time.

For nearly 40 years VTC has been making custom-built power transformers. Our history in specialty design laid the foundation for a solid engineering based company specializing in transformer and reactor solutions for industrial, commercial and utility applications.

The *NEW* Virginia Transformer now operates 3 manufacturing facilities in North America to service our global markets. Our success comes not only through our dedication to producing a top quality product, but equally through innovations in our processes driving us to the forefront of our markets.



Corporate/National Sales Office
220 Glade View Drive, Roanoke, VA 24012
540.345.9892 – Fax 540.342.7694
sales@vatransformer.com

www.vatransformer.com

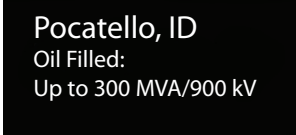
HISTORY



- 1971 – VTC established
- 1982 – Current president assumes management
- 1989 – Manufactures first LTC transformer
- 1995 – Opened 2nd manufacturing facility in Chihuahua, Mexico
- 1997 – First achieves ISO 9001 certification
- 2003 – Acquired power transformer facility, Pocatello, Idaho



Roanoke, VA
 Dry Type:
 Up to 20 MVA/34.5 kV
 Liquid: Up to 33 MVA/115 kV



Pocatello, ID
 Oil Filled:
 Up to 300 MVA/900 kV



Chihuahua, MX
 Dry Type/Liquid:
 10 MVA/69 kV

WHAT VTC DOES

Providing successful solutions means having the right selection of products. VTC offers a wide range of products, and the ability to customize each one to meet specific needs. VTC meets demanding system requirements such as space constraint, special voltage configurations and tough environmental conditions. Our ability to exceed these needs has gained VTC a solid reputation in supplying power transformers.

Providing High quality, long life units starts with our engineering strength. VTC boasts over 15,000 customizable designs to provide built to spec transformers for our clients for just about every application possible. Our team of application and sales engineers starts our process by reviewing technical specifications and establishing with our customers an optimum solution. From there our Electrical, Mechanical and Control Design Engineers utilize the latest tools to provide drawing packages in the industries shortest lead time.

The experience of our team and the automation of our processes set VTC apart as solution based manufacturer of all transformer needs. We are able to develop the best design for each individual need. We look at all the details of the transformer design to assure electrical and magnetic performance to optimize every phase of production.

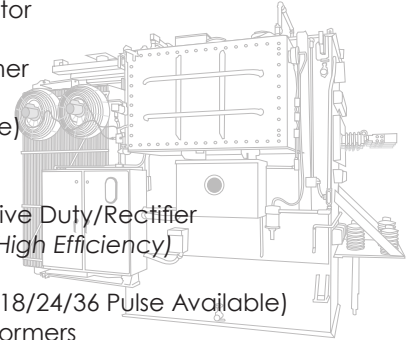
Markets serviced include, Commercial and Industrial, Government, Utility, Fossil Generation, Geo-Thermal, Solar, Wind, Export, and more.

MARKET REPRESENTATION

Virginia Transformer Corp uses a network of knowledgeable independent Manufacturers Representatives to support and create the best experience for our customers. These representatives augment our team of Sales Engineers and Application Engineers who work with clients to provide the best solution for their application.

SPECIAL APPLICATION TRANSFORMERS

- Three Phase Voltage Regulator
- Single Phase Transformer
- Zig Zag Grounding Transformer
- Scott Tee Connected (Converts 3 phase to 2 phase)
- Load Tap Changing
- Autotransformer
- Multi-Winding Secondary/Drive Duty/Rectifier
- "Green" Transformers (Ultra High Efficiency)
- Large Specialty Pad Mount
- Drive Isolation Transformers (18/24/36 Pulse Available)
- Variable Speed Drives Transformers
- High Altitude
- Up to 20,000 horse power fro AC and DC motors



VT EXPORT PROJECTS

COMPANIA MINERA DONA.....	Chile
RECOVERY IRAQ OIL (KBR).....	Iraq
RECOVERY IRAQ OIL (Parsons)	Iraq
RECOVERY IRAQ OIL (BTEC Turbines)	Iraq
RECOVERY IRAQ OIL (Summit Electric)	Iraq
SAUDI ARAMCO	Saudi Arabia
KING FAISAL UNIVERSITY	Saudi Arabia
WATER & ELECTRICITY DEPT.	Saudi Arabia
MAGDALENA SUGAR MILL	Guatemala
PANTALEON SUGAR MILL.....	Guatemala
TRINIDAD SUGAR MILL	Guatemala
EMPRESA ELECTRIC (Utility).....	Guatemala
EMPRESA ELECTRIC (Utility).....	Ecuador
GOLIVER GOLD MINE	Venezuela
PDVSA (Oil Industry)	Venezuela
TECO WATER TREATMENT PLANT	Jordan
WEST INDIES ALUMINUM CO.....	Jamaica
TRINIDAD ELECTRICITY(T & TEC - Utility).....	Trinidad
IONICS PROJECT (Desalination Plant).....	Trinidad
GEO THERMAL POWER PROJECT	El Salvador
SUGAR MILL PROJECT	El Salvador
IRHE (Utility).....	Panama
BELIZE ELECTRICITY (Utility).....	Belize
HO CHI MIN CITY WATER WORKS	Vietnam
COGENTRIX POWER PLANT	Dominican Republic
CHEVRON (Oil)	Nigeria
CALGARY TRANSIT	Canada
BC HYDRO.....	Canada
CHIHUAHUA POWER PLANT (Transalta)	Mexico
CORNWELL ELECTRIC.....	Ontario
ALGOMA POWER	Ontario
ST. JOHNS ENERGY	New Brunswick